



JASPAR Valves and Maintenance S.A.

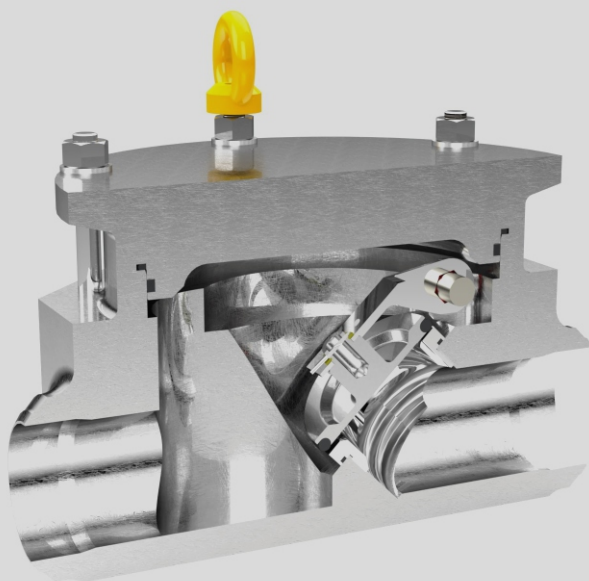
Rue de la Cale Sèche, 30
B-4684 OUPEYE

Tél. : +32-4/248 07 97
info@jaspar.be



Technical data sheet

Check valve Type HZR Very High airtightness



Design – construction
ANSI B16.34 – ASME III – RCC-M

Valve classification
ANSI 150 - 2500 lbs

End to End connection
Socket or Butt welding

Body / Bonnet joint
- Bolted bonnet

Standard material (all in forged steel)

Bore desing
Full bore DN 20 – 100 mm

Seating
EPDM / NBR / VITON

Nuclear Application Specificities:

Qualified at 45°C for 16 years
Qualified for 126 Mrad (CEA)
LOCA and Post-LOCA qualified (CEA)
Pressure 400 mbar → Leak < 0.5 Ncc/min