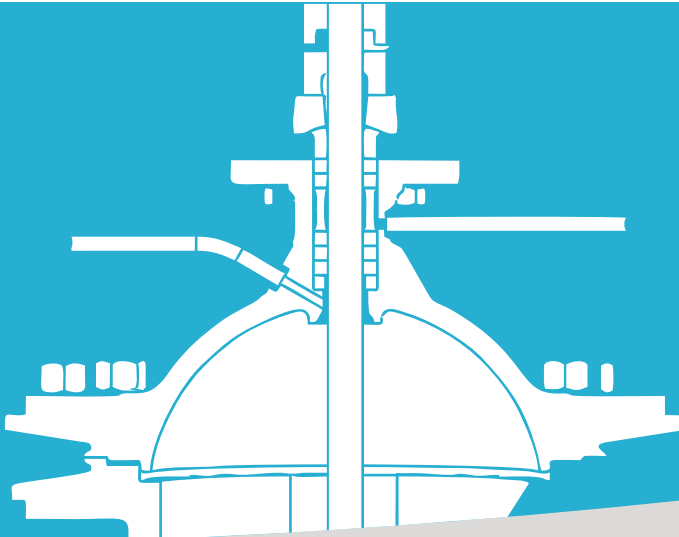


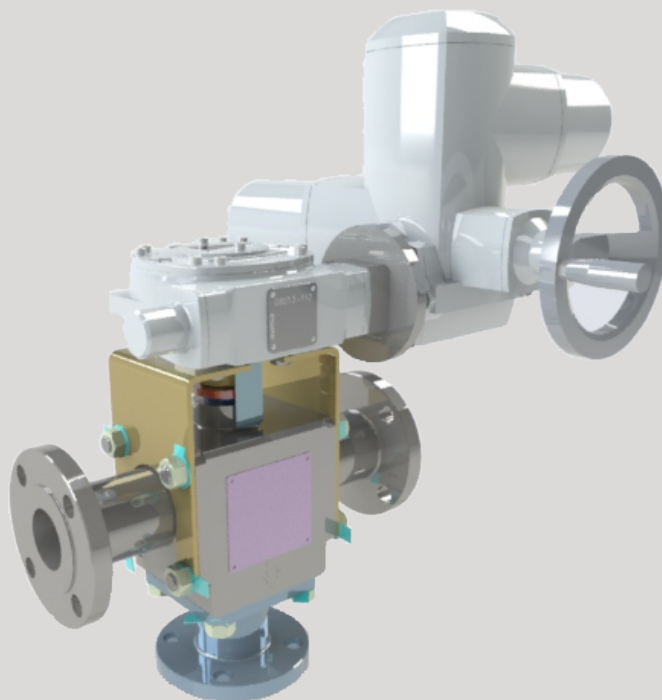
JASPAR Valves and Maintenance S.A.

Rue de la Cale Sèche, 30
B-4684 OUPEYE

Tél. : +32-4/248 07 97
info@jaspar.be



Technical data sheet
3 Ways Ball Valve
Type BVR3W
(forged steel and soft seat)



Design – construction
ANSI B16.34 – ASME III – RCC-M

Valve classification
ANSI 150 - 300 lbs

End to End connection
Flange, Socket or Butt welding

Body
Three Ways

Bore desing
Full bore DN 15 – 50 mm

Seating
Soft Seat (PTFE / PEEK / Cestidur)

Standard material (all in forged steel)

Motorisation
Electrical actuator